

RIGID WHEELCHAIR INFORMATION SHEET

Name and phone: _____

OT Name and phone: _____

Vehicle year and model: _____ or do this >

Chair Manufacturer: _____

Chair Model: _____

Chair Type: **Rigid**

Dimensions: **D1** _____

(per diagram below) **D2** _____

D3 _____

D4: _____

D5: _____

W: _____

read these
before
measuring!

If you need to change your vehicle and want us to recommend one that suits the loader, please guide us in your other requirements or preferences:

Seat squab height best for transfer:

Car \$ range:

Car age range:

Car style: Wagon / SUV / People carrier /

Rear seat will be used: Yes / No /

Cars / Brands I like:

Fuel: Petrol / Diesel / don't care

2 Wheel drive / 4WD / don't care

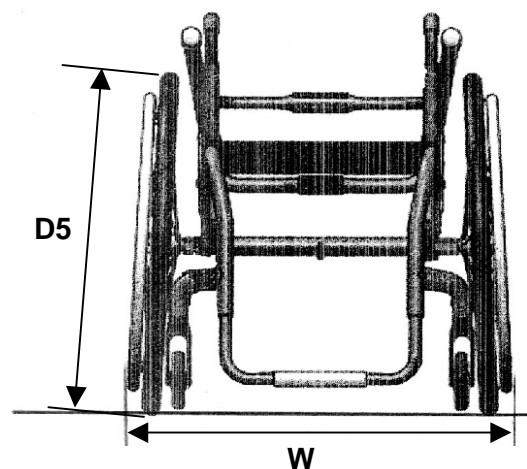
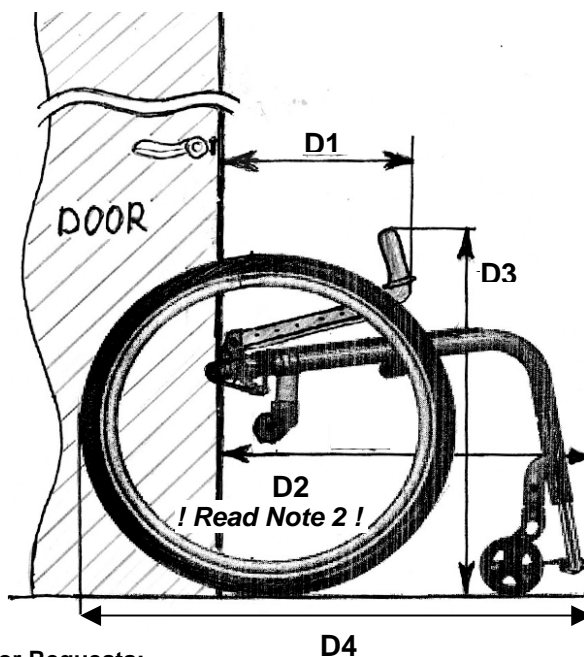
Transfer in garage Req'd / not important

Other preferences:

Key

1. Remove the cushion to allow the chair back to fold fully, and fold the back.
2. D1, D2: Slide the chair back against a door or vertical post as shown until the axle or other chair hardware stops it to provide an easy way to measure these dimensions.
3. D4: Backing the chair into a flat wall is the best way to measure this accurately

The chair may be different from this drawing, but this method will still get the required dimensions.
Photos will show any other features. Anti-tip wheels must be able to fold up or away.



!
Please send rear and side view photos of your chair(s) if you can, taken from axle level.

Special Notes or Requests:

D4

W